

THE WORLD'S
MOST SECURE
TEMPORARY
FENCE



AUSTRALIAN INVENTION • AUSTRALIAN DESIGN • AUSTRALIAN OWNED

The No Thru™ temporary fencing security system is like no other. Its award winning, patented design has revolutionised the way temporary fencing will be used from now on.



**GOOD
DESIGN
AWARD®**
GOLD WINNER

THE PROBLEM

The current state of temporary fencing.

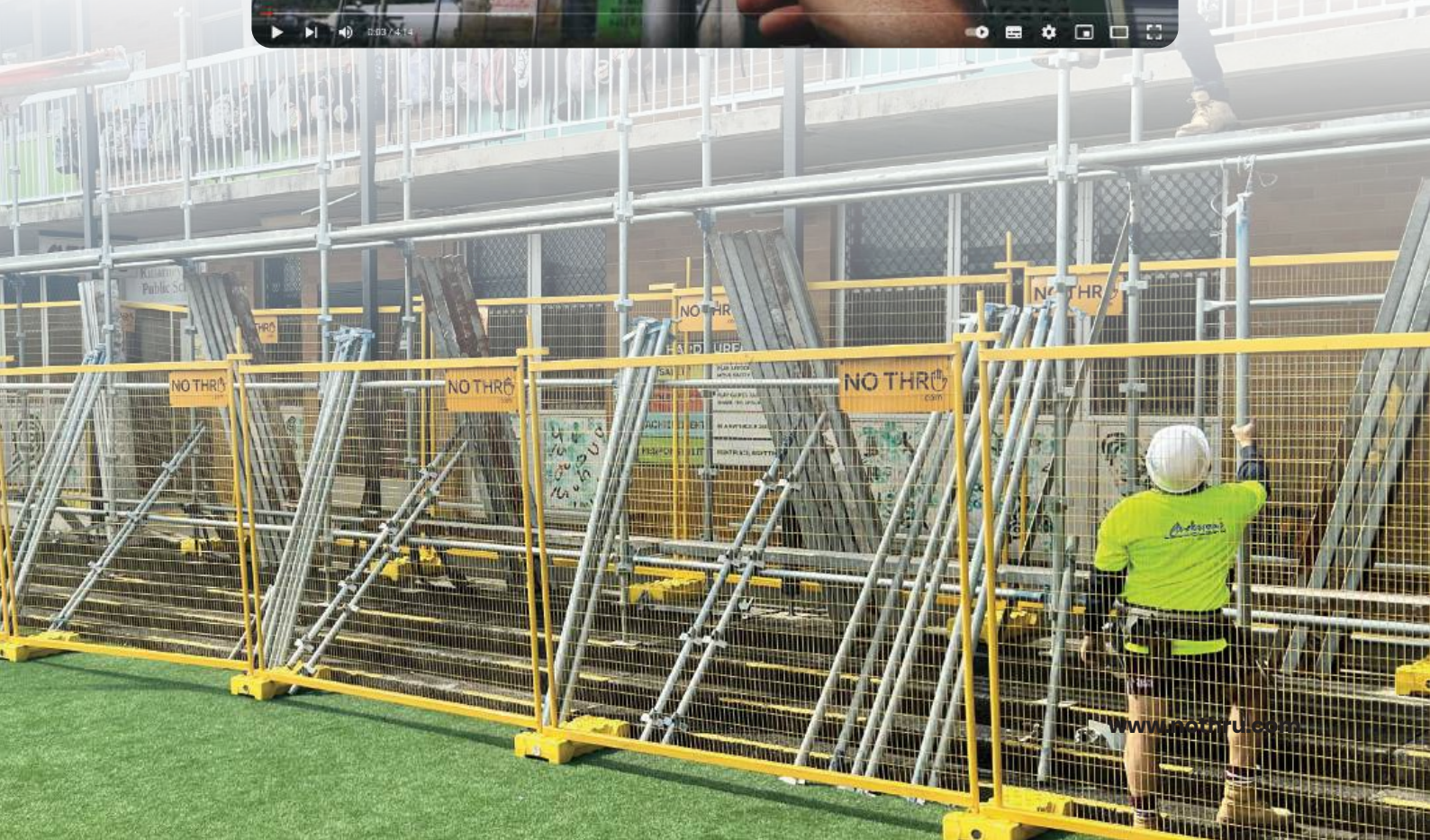
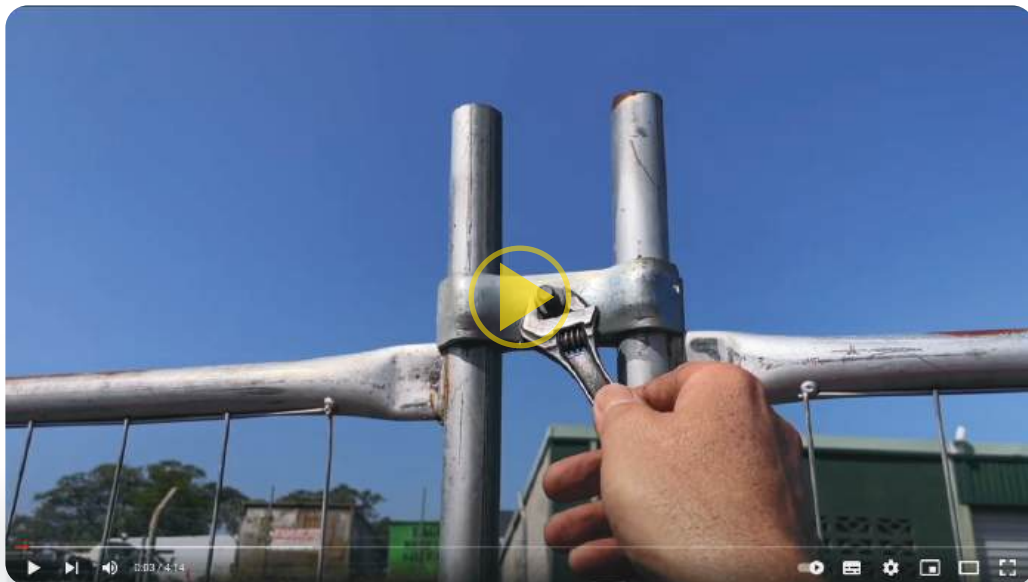
It's a widely known fact that current temporary fences can be broken into in seconds. By using a spanner to loosen the clamp holding fence panels together, the clamp easily slides off, and the panel can be lifted out of its foot, creating an opening at any panel join. This major design problem means that current temporary fences are highly insecure.

THE SOLUTION

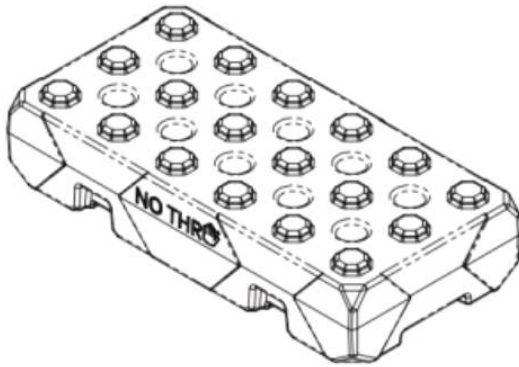
NO THRU Interlocking Temp Fence – Full Length Explainer.

NO THRU has completely re-invented temporary fencing. Its patented design fence panels interlock together as they are fitted. This interlocking process is repeated until the whole length of the fence is complete. The only way to remove panels is to start at a gate opening and reverse the fitting process.

[For more information, click on this link to watch the video below.](#)



THE FOOT



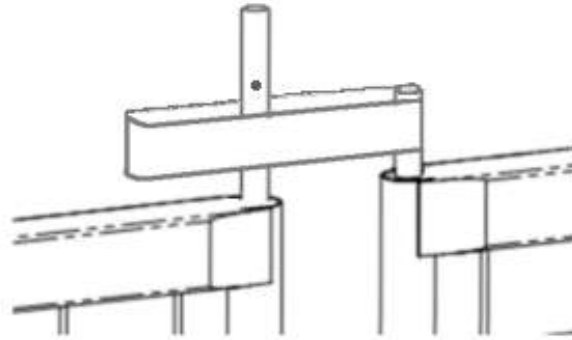
HOW'S IT DIFFERENT?

The foot has several key features. Its 'keyhole' allows the 'key' in the bottom of the fence panel to lock it into place. The foot also has multiple positions for inserting the fence panel. This means you can install your fence to minimise foot intrusion into public areas, such as footpaths. The feet also interlock (similar to Lego™), so you can stack extra feet, adding weight to fences in high wind areas or that have screening or shade cloth fitted. It also makes transporting the feet much safer, stopping lateral load shift.



HOW'S IT DIFFERENT?

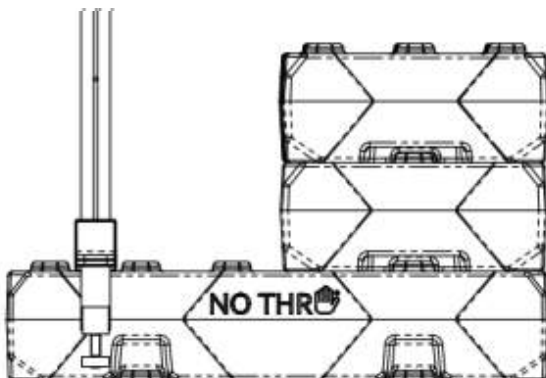
The panel also has several key features. At the base of each panel, there is a key that inserts into the foot. This locks the panel into the foot & prevents anyone from lifting the panel out of the foot without it being at the correct angle. The other feature, at the top of each panel, is the steel hoop. This welded hoop slides over the adjacent post - no fiddly, insecure clamps required. Finally, the fence panels are taller and heavier than most panels, and No Thru™ panels have dense, anti-climb mesh to prevent climb-overs.



THE PANEL



THE SYSTEM



HOW'S IT DIFFERENT?

The wholistic, interlocking design is what makes No Thru™ so revolutionary. All individual features work together to create a fencing system that simply cannot be pulled apart - unless, of course, the hirer wants to do so - then it's easy!

NO THRU™ SPECIFICATIONS

STANDARD PANEL

Height:2100mm (From ground to top rail, installed)
Width:2200mm
Weight:24kg



HALF PANEL

Height:2100mm (From ground to top rail, installed)
Width:1000mm
Weight:15kg



3-STAIR PANEL

Height:2100mm overall
Width:1100mm
Weight:18kg



3 STAR PANEL

4-STAIR PANEL

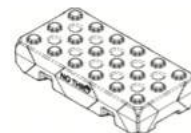
Height:2650mm
Width:1200mm
Weight:20kg



4 STAR PANEL

LOCKING BASE/FOOT

Height:100mm
Width:290mm
Length:590mm
Weight:20kg



www.nothru.com

BENEFITS OF NO THRU™

WHY DID WE RE-INVENT THE TEMPORARY FENCE?

Temporary fencing has always been treated as just that - 'temporary', and that has meant insecure, unsafe and impractical fences protecting people, supplies and equipment - it's just not good enough. We have created a new design that provides you with a highly secure, stable and cost-effective fencing solution.

KEY BENEFITS

- Interlocking panels, making it impossible to be pulled apart
- No Trip block design - perfect along pedestrian access areas
- Stackable ballast to remove the need for wind braces.
- Anti Climb mesh - perfect for school locations
- Panels designed for going up or down staircases.

For more information or to book a demonstration please contact:

CAMERON DRAKE-BROCKMAN

1800 NO THRU (1800 66 8478)

Or complete the contact us form at <https://nothru.com/>

www.nothru.com

FREQUENTLY ASKED QUESTIONS

Why No Thru?

No Thru is the only temporary fence in the world that is actually secure. No Thru eliminates the unboltable clamp between panels that make all other temporary fences effectively useless. Unlike the others, with No Thru, there is no way for any unauthorised person to undo and remove a fence panel with a spanner or wrench. The gates (access points) are the only way through.

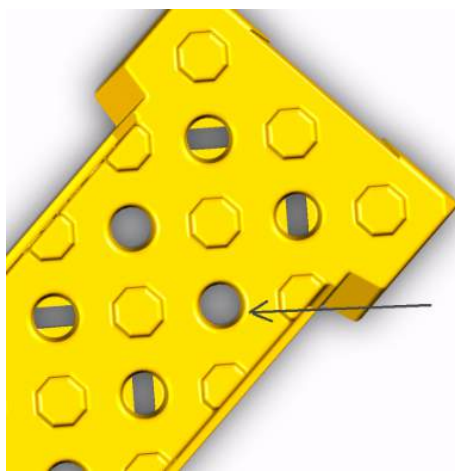
How does it work?

No Thru's patented design is simple but highly effective. It is installed by first sliding the welded top steel hoop over the upright post of the previous panel. Then the key at the bottom of the fence post is inserted down through an angled keyhole in the foot. When the fence panel is aligned with the previous panel, the fence panel is locked.

What if I need to get into an area of my site where I don't have a gate? Am I stuck?

Thankfully not. No Thru also has what is known as Future Access Points. This is where the fence panels at a particular join are fitted into non-keyed, open holes in the foot, and a padlock is instead fitted through the top post to secure that particular join.

These Future Access Points are generally not used, but a site manager has the option to unlock the fence at these points in case access is needed. All it takes is 5 minutes of planning at the start of a project to identify where the gates need to be, but also where you may need access at some point during the project. Our installers will fit a Future Access Point at those nominated locations. Alternatively, a site manager can choose to have Future Access Points at particular intervals, for example every 20, or 50 metres.



FREQUENTLY ASKED QUESTIONS

What about uneven ground?

Other temporary fences rely on tie-wire to hold panels at odd angles when needing to navigate uneven ground or staircases. This is highly insecure and non-compliant.

No Thru's top hoops allow for a good amount of automatic adjustment over uneven ground. No Thru also has Expander Brackets to get even more adjustment. For extreme undulations and staircases, we have what are known as Stair Panels. These parallelogram shaped panels account for sudden changes in ground topography, and staircases with ease.

No Thru Stair Panels come in 3-stair and 4-stair models. This means that regardless of how many stairs/risers your staircase has, No Thru can handle it. A staircase with 7 risers uses one 3-stair panel and one 4-stair panel. An 11 riser staircase uses one 3-stair and two 4-stair panels, and so on.



Can't I just rotate a foot around to unlock a panel?

No. The bottom of each fence panel has a cross-brace with which the next panel is inserted through. This brace prevents the foot from rotating, making the No Thru fence system secure within itself, and not relying on any fixing to the ground.

Can't someone just climb over it?

No Thru is over 2 metres tall and has anti-climb mesh, making it very difficult to do so.

For more information or to book a demonstration please contact:

CAMERON DRAKE-BROCKMAN

1800 NO THRU (1800 66 8478)

Or complete the contact us form at <https://nothru.com/+>

NO THRU™ SPECIFICATIONS

STANDARD PANEL

Height:2100mm (From ground to top rail, installed)
Width:2200mm
Weight:24kg



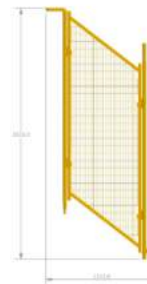
HALF PANEL

Height:2100mm (From ground to top rail, installed)
Width:1000mm
Weight:15kg



3-STAIR PANEL

Height:2100mm overall
Width:1100mm
Weight:18kg



3 STAR PANEL

4-STAIR PANEL

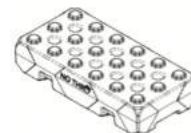
Height:2650mm
Width:1200mm
Weight:20kg



4 STAR PANEL

LOCKING BASE/FOOT

Height:100mm
Width:290mm
Length:590mm
Weight:20kg



www.nothru.com